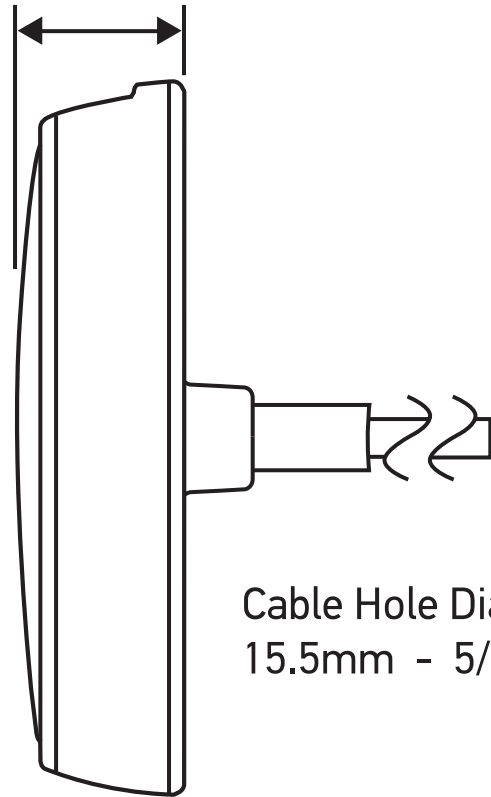
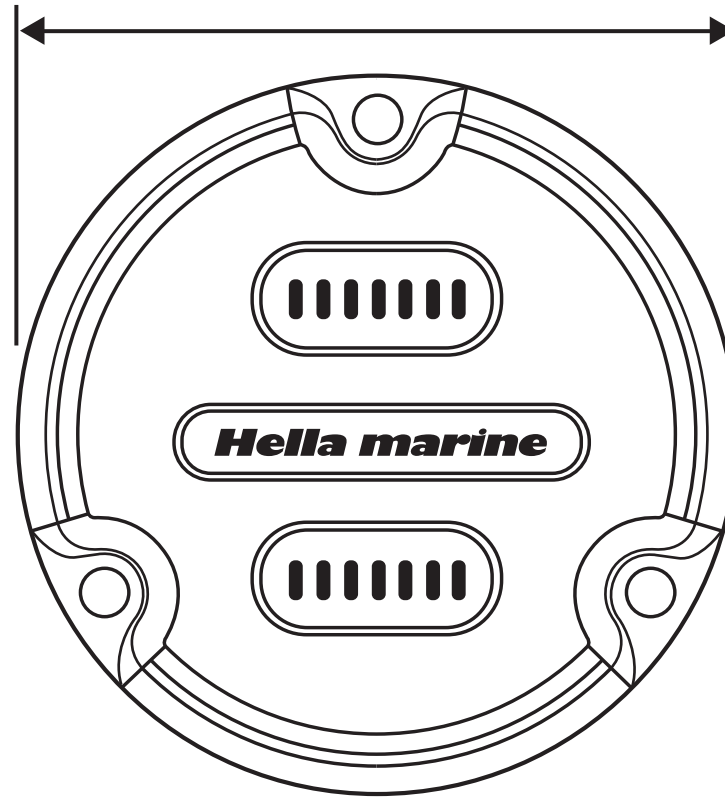


23.5mm - 15/16"



Cable Hole Dia.
15.5mm - 5/8"

95mm - 3, 3/4"



Hole PCD 83.5mm - 3, 5/16"